



**IRISH
ENGINEERING
PRODUCTS**

**BEET FEEDER
CLASSICO 300/600/900
OPERATORS MANUAL**

**Irish Engineering Products
Rathornan
Leighlinbridge
County Carlow
R93 C9X0
Phone +353(0)86 344 4255
iepmachinery@gmail.com**



**THIS MANUAL SHOULD BE CONSIDERED A PERMANENT PART OF YOUR MACHINE
AND SHOULD REMAIN WITH THE MACHINE WHEN YOU SELL IT.**

CONTENTS

Intended Use	3
Safety	4
Machine Overview	5
<i>Main Parts</i>	
<i>Chain & Adjuster</i>	
<i>Warning Stickers</i>	
<i>Hydraulic System</i>	
Operating the Machine	7
<i>Pre-Operations Check list</i>	
<i>Operating Instructions</i>	
<i>Transportation and Storage</i>	
Maintenance.....	9
Spare Parts	10
Guarantee	11

IRISH ENGINEERING PRODUCTS REQUIRES THAT ANYONE OPERATING OR MAINTAINING THE CLASSICO HAVE READ AND UNDERSTAND ALL INSTRUCTIONS ON SAFETY, OPERATION AND MAINTENANCE CONTAINED IN THIS MANUAL.

INTENDED USE

The IEP Classico is an attachment for tractors. It is equipped with an auger to chop roots, and is designed to feed roots only. There are three cutting wheels available for different roots, Standard Beet, Potato and Fine Beet (for feeding smaller livestock such as sheep). Feed can be discharged directly onto the ground or into feeding troughs or feeding passages.

The IEP Classico is designed to be used by a single operator only (tractor driver) and can be used both outdoors and in livestock buildings where conditions of free movement and sufficient ventilation exist to ensure the safety of persons and animals. The machine should not be used for purposes other than those indicated in this manual.

The machine should be used on firm ground. Sloping ground exceeding 8° in inclination should be avoided to minimise the risk of toppling over.

The machine can be mounted on a tractor with 3 point linkage (TPL) or to the front of tractor, loader or telehandler using the appropriate brackets. IEP are able to supply any bracket on the market.

The machine must not be used for loading, digging, transportation or feeding of other materials other than those mentioned in this manual.

SAFETY

PLEASE READ THESE INSTRUCTIONS CAREFULLY.

IGNORING THESE INSTRUCTIONS COULD RESULT IN SERIOUS PERSONAL INJURY OR DAMAGE TO THE MACHINE.

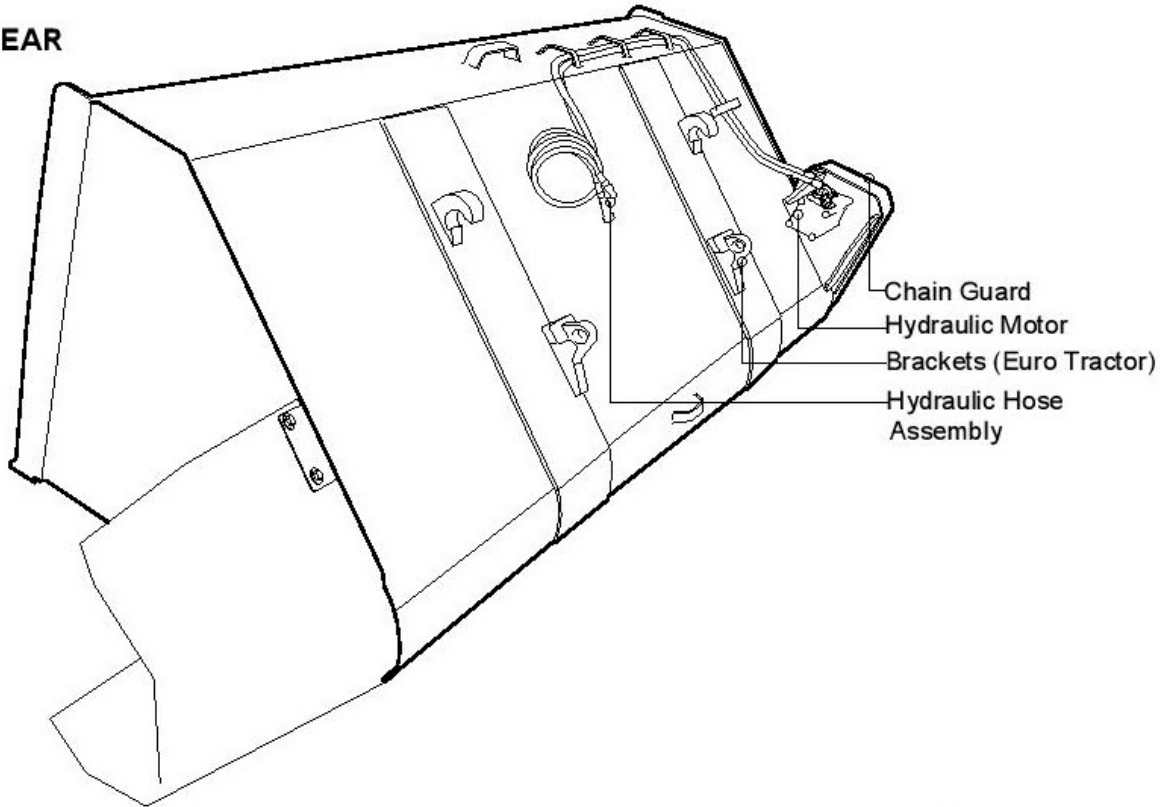
- The machine must only be used by an experienced, competent operator who has been trained in the safe use of the machine.
- The operator should consult the tractor handbook for information and instruction on mounting implements and other safety issues.
- Only operate this machine from the tractor seat and ensure no-one is in close proximity when in operation.
- Never allow personnel or animals to ride on the machine.
- Do not modify any part of the machine which could affect safety. Any modifications or additions to the machine should be approved by the manufacturer. This also applies to welding work.
- Check all safety decals on the machine are in good condition and that their meaning is understood.
- Always test the machine prior to operation to ensure services function correctly.
- Do not use the machine if a malfunction occurs.
- Do not stand in the area between tractor and implement or allow others to enter this area.
- Warn bystanders to keep clear of the machine whilst operational.
- Do not operate the Classico if unauthorized persons are in the area, especially small children. Hazards associated with using the Classico may be pinch points, noise exposure, splinters, eye injury, impact trauma, trip/slip/fall, overhead electrical contact, underground utility contact and entanglement.
- Under no circumstances should the operator attempt to clear a blockage by hand or by kicking the auger. **The tractor engine must be stopped and the ignition key removed before any attempt to clear blockage.** The operator should also ensure that any residual pressure in the hydraulic system is released by operating the spool valve levers in both directions.

YOU ARE RESPONSIBLE FOR SAFE OPERATION AND MAINTENANCE OF THE CLASSICO. THE MOST IMPORTANT SAFETY DEVICE ON THE EQUIPMENT IS A SAFE OPERATOR.

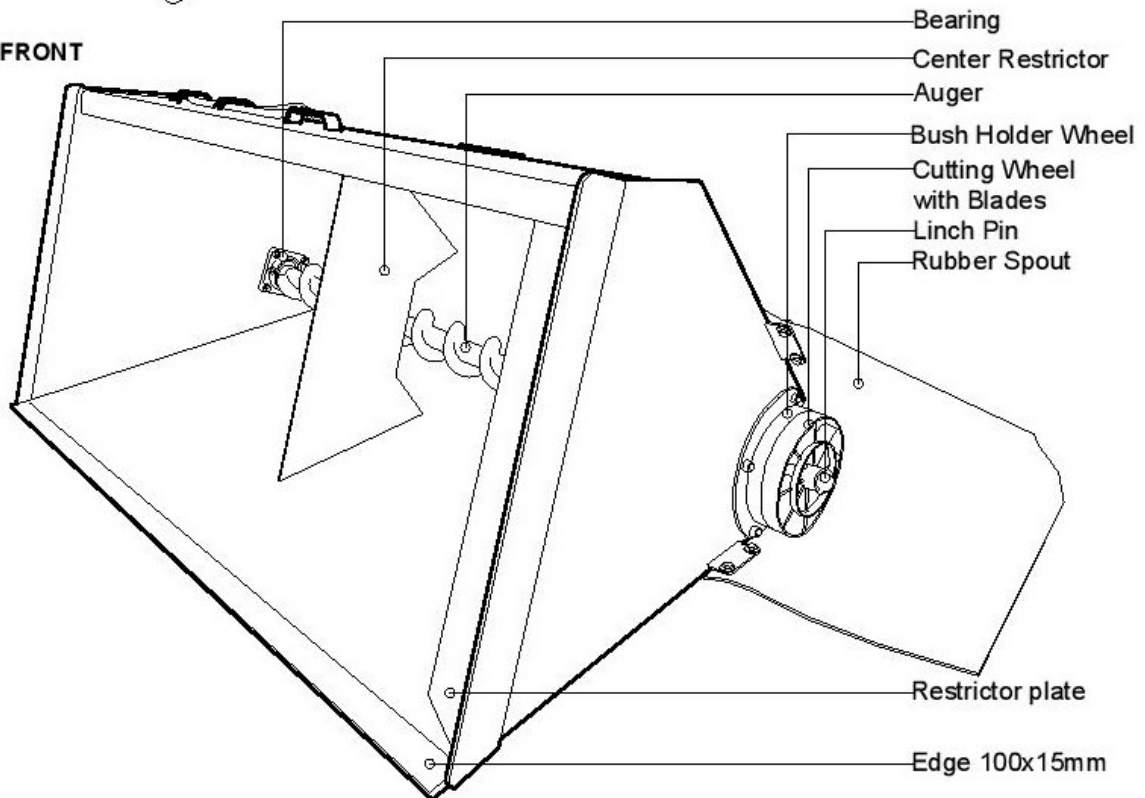
GOOD SAFETY PRACTICES ELIMINATES RISK FOR INJURY AND DEATH!

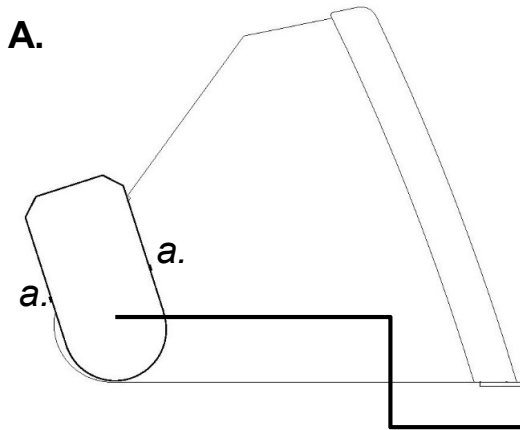
IEP CLASSICO - MACHINE OVERVIEW

REAR

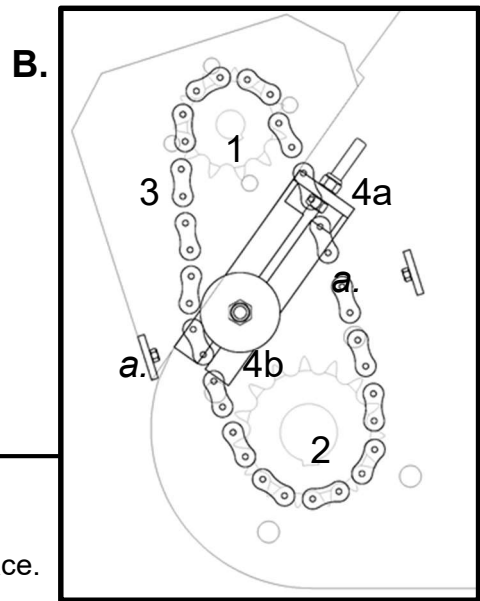


FRONT





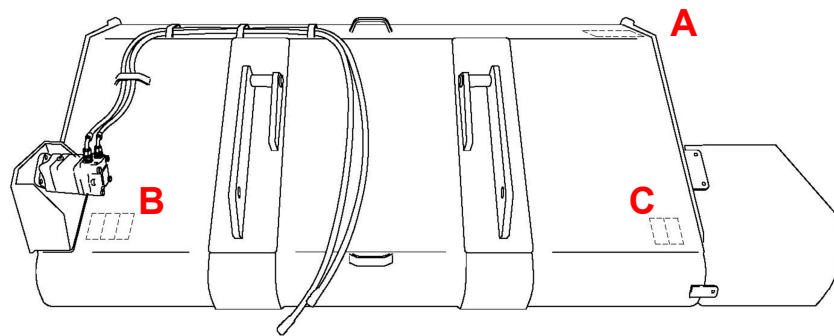
A. Side view of motor gable end showing chain guard attached, a. indicates bolts to hold chain guard in place.



- B. Chain guard removed –
1. Sprocket 11T
 2. Sprocket 15T
 3. Chain
 - 4a, Slack adjuster
 - b, Nylon tensioner

The slack adjuster must be used to ensure correct tension on the chain to avoid malfunction and unnecessary wear to the machine. It is adjusted by tightening/loosening the bolts at the top of the adjuster (4a).

WARNING STICKERS



- A - Information regarding this specific machine. Do not remove from machine.
 B & C - Read the manual before operating machinery.
 Beware of the danger of moving parts such as auger, chain and cutting wheel.
 See **blockages** in the **Safety** section of the manual.
Replace any damaged or illegible warning stickers immediately.

OPERATING THE MACHINE

HYDRAULIC SYSTEM

WARNING: Hydraulic system is pressurised! Danger of crushing and shearing can exist when components are operated by hydraulic or pneumatic controls.

- When fitting hydraulic motors or cylinders, ensure that connections have been made correctly, as per manufacturer's instructions.
- Before connecting hoses to the tractor hydraulics, ensure that tractor and machine circuits are not under pressure.
- It is strongly recommended that the operator marks the hydraulic connections between tractor and machine to avoid making a wrong connection. **WARNING:** Functions could be reversed (example: lift/lower).
- Check hydraulic hoses regularly! Worn or damaged hoses must be replaced immediately. Replacement parts must be in accordance with the manufacturers recommendations regarding specification and quality.
- Should a leak be found take all necessary precautions to avoid accidents.
- Any liquid under pressure (particularly oil from hydraulics) can penetrate the skin and cause severe injury. If injured see a doctor immediately, as there may be a danger of infection.
- **Before any adjustment, maintenance or repairs are carried out, lower the machine, depressurise the circuit, turn off the engine and remove the ignition key.**

PRE-OPERATIONS CHECKLIST

The check list should be followed both for continued maintenance and safety of operator of the post driver.

- Grease every 20 hour of operation and pre / post season, more often if necessary. See **Maintenance for further information.**
- Ensure tractor is of sufficient weight to be stable with the machine attached.
- Ensure that the machine is properly attached to the tractor's 3 point linkage (if used) or brackets, and that mechanical retainers such as lynch pins are installed.
- Check that all hydraulic fittings & connections are tight and in good condition.
- Before operating the machine check the tightness of all nuts and bolts, particularly on fixing elements.
- Check for damaged, worn, missing parts and replace if necessary.

- Before operating this machine, always ensure the tractor and machine meet work safety and road traffic regulations.
- In addition to recommendations given in this manual, local legislation on work safety and accident prevention must be respected.
- Machine must only be attached to tractor by means provided and in accordance with safety standards.
- Special care to be taken when attaching or removing machine from the tractor.
- Before transporting the machine on public roads ensure that all legally required guards and indicators, lights and reflectors are in place and functional.
- Before leaving the tractor or before adjusting, maintaining or repairing the machine, turn off the engine, remove the ignition key and wait until all moving parts have come to a complete standstill.

OPERATING INSTRUCTIONS

BEFORE STARTING WORK THE OPERATOR MUST FAMILIARISE THEMSELVES WITH ALL MACHINE CONTROLS, HANDLING DEVICES AND THEIR FUNCTIONS. ONCE AT WORK IT IS TOO LATE TO DO THIS!

- Before starting up the machine and commencing work check surrounding area. Assure that there is sufficient visibility. Beware of children. People and animals to be kept away from the danger zone of the machine due to risk of projection.
- All operating controls (cords, cables, rods etc) must be positioned so that they cannot be set off accidentally, thus risking accident or damage.
- Ensure hydraulic connections have been made correctly, as per manufacturer's instructions.
- Drive speed must be adapted to ground conditions as well as to road and paths. Avoid abrupt changes of direction.
- Use bucket to scoop up beet and when ready to feed out engage the auger to chop/feed using the controls in the tractor/loader. Do not use bucket for digging, loading or feeding other feed materials than those mentioned in this manual.

STORAGE & TRANSPORTATION

- Make sure the unit is sitting firm and solid and will not tip over.
- If using TPL Before transportation of the machine adjust the lower link stabiliser chains to reduce side swing to the minimum.
- Before travelling on public roads ensure the machine is free of loose material and equipment.
- Carrying people or animals on the machine while working or in transport strictly forbidden.

- When turning or at bends take the width and load of the machine into consideration.
- Be aware of any height restrictions on route ie. overhead wires, bridges, etc.
- Road speed should not exceed 10 m.p.h.(15 km/h).
- When stopped, always use the parking brake.
- Whenever possible use the tractor to lift the machine.
- After work, lower the bucket to the ground before unhitching from the tractor.
- When storing the machine - clean thoroughly.
- Position the machine indoors on flat level concrete or tarmac where it presents no hazard to people or animals.

MAINTENANCE

- Before checking for any machine malfunction and before adjusting, maintaining and repairing the machine, turn off engine and remove ignition key. Ensure the hydraulic system is depressurised.
- Only use suitably qualified engineers working to the relevant standards and codes of practice when repair work to the hydraulic system is to be undertaken.
- All maintenance and servicing work should be undertaken with the machine lowered to the ground.
- If servicing work is required to the underside of the machine provide adequate support devices to prop it up in a stable position before carrying out any maintenance work.
- Regularly apply recommended lubrication to grease points – minimum every 20 hour of operation and pre / post season.

Grease points on the Classico are situated the Bearing and Chain.

To grease the chain remove the two bolts that hold the chain guard and take care to ease the guard off without hitting any other parts. Place the chain guard on level surface until refitted to avoid damage. DO NOT run the machine without the chain cover correctly attached.

- Check tightness of bolts and nuts regularly. Re-tighten if necessary.
- After cleaning the machine check all hydraulic hoses for leaking or operational damage. Damaged hoses should be replaced immediately.
- When replacing a working part, wear protection gloves and only use standardised tools.
- Disconnect power source before any work is done to the electric system.

- Check safety guards regularly, particularly those that are subject to wear. Replace immediately if damaged.
- Spare parts used must be in accordance with specifications and standards defined by the manufacturer. Use only genuine IEP parts.
- Before any electric welding is carried out on tractor or attached machine, disconnect generator and battery terminals.
- Repair to elements under pressure or tension (springs, accumulators etc) must only be carried out by competent persons with standardised equipment.
- Proper maintenance and careful operation will ensure durability of equipment.

NOTE: It is forbidden to discard any oil, grease or filters. These must be given to waste disposal organisations to protect the environment.

SPARE PARTS

FOR SPARE PARTS CONTACT YOUR IEP SUPPLIER OR IEP DIRECTLY

PART	CODE
Hydraulic Motor	SMS315
Hydraulic Hose Assembly	IEPHACO
Bearing, Heavy Duty	UCFX10
Cutting Wheel, standard	IEPCW
Cutting Wheel, potatoes	IEPCWP
Cutting Wheel, fine beet	IEPCWF
Blades for Cutting Wheel	IEPCKCOB
Sprocket 11T	16B1132
Sprocket 15T	16B1550
Keyway	K1509
Chain	16BCKCO
Chain Link	16BLK
Chain link, Cranked	16BCLK
Nylon Tensioner	CT70
Nylon Bush	NBCKCO
Nylon Bush Holder	IEPNBH
Bush Holder Unit Left	IEPBHUL
Bush Holder Unit Right	IEPBHUR
Rubber Spout	CKCORB

AUGER PART

Auger 600/300	COAU600
Auger 900	COAU900
Auger 6 Spline Shaft	IEP6SS
Auger 50mm Shaft c/w Keyway	IEP505
Classico Segment	COSEG
Classico Hot rolled Flite	COHRF

GUARANTEE

Subject as hereunder provide, the seller undertake to correct either by repair or at their election by replacement any defect of material or workmanship which occurs in any of its good within twelve months after delivery of such goods to first user, with the exception of contractors or commercial peers when warranty period is six months. In respect of tine breakage will be assessed on individual basis in every case.

The terms goods used in this article when used in this document means the article or article described in invoice as sold by the seller but does not include equipment or proprietary parts or accessories not manufactured by the seller. The sellers, however, undertake to pass on so far as they legally can, to first user the benefit of any warranty given to the sellers from the suppliers of such equipment, parts or accessories.

This undertaking shall not apply to:

- Any goods which have been sold by the first user.
- Any goods which have been damaged by unfair wear and tear, neglect or improper use.
- Any goods the identification marks of which has been altered or removed.
- Any goods that have not received the basic maintenance such as tightening of the bolts, nuts, tines, hose connections and fittings and normal lubrication with the recommended lubricant.
- The use of any product on tractors exceeding the recommended horsepower.
- Any goods which have been altered or repaired other than on instruction or the written approval of the seller or to which any part not manufactured or approved by the sellers have been fixed.
- Any second-hand goods or part thereof.

Any allegedly defective part, or parts, returned to the seller must be sent carriage paid. No claim for repair or replacement will be entertained unless upon discovery of the alleged defect a written notification is sent to the sellers giving, at the same time, the name of the seller from whom the goods were purchased and the date of purchase together with full details of the alleged defect and circumstances involved, also the serial number of the machine.

The sellers shall be under no liability to their buyer and first and subsequent user of their goods, or to any other person or persons for loss or damages howsoever arising in respect of either personal injuries or for arising out of, or for arising out of, or in any way connected with or arising from the manufacturers sale, handling, repair, maintenance, replacement or use of its goods or the failure or malfunction of any of its goods.

Representation and/or warranties made by any persons, including buyers and employees and other representatives, which are inconsistent or conflicting with these conditions are not binding upon the sellers unless given in writing and signed by the director of the Sellers.

CLAIMS

If you wish to make a claim under guarantee:

- Immediately stop using the machine.
- List the details of the machine and damaged item(s). Parts list provided within this document.
- Consult with your IEP supplier and have him forward your claim and the damaged item to IEP.

DISCLAIMER

While every effort has been made in the production of this manual to ensure that the information contained herein is full and correct, Irish Engineering Products assumes no responsibility for errors or omissions. Irish Engineering Products reserves the right to modify the machinery and the technical data contained within the manual without prior notice. Further to this Irish Engineering Products assumes no liability for any damages which may result from the use of the information contained within this manual.



EC Declaration of Conformity

We hereby declare that the machine described below complies with the relevant basic health and safety requirements of the EU Directives, both in basic design and construction as well as in the version put into circulation by us. This declaration shall cease to be valid if the machine is modified without our prior approval.

Product: Beet Chopper/Feeder

Type: IEP Classico

Relevant EU Directives:

2006/42/CE

Applied Conformity Evaluation Method: 2006/42/CE, Annex I.

The undersigned act on behalf and under the power of attorney of the company management.

Pat Cullen

Authorised Documentation Representative

Pat Cullen

Irish Engineering Products
Rathornan
Leighlinbridge
Co Carlow
R93 C9X0
Phone: +353(0)86 344 4255

Carlow 20/08/2013